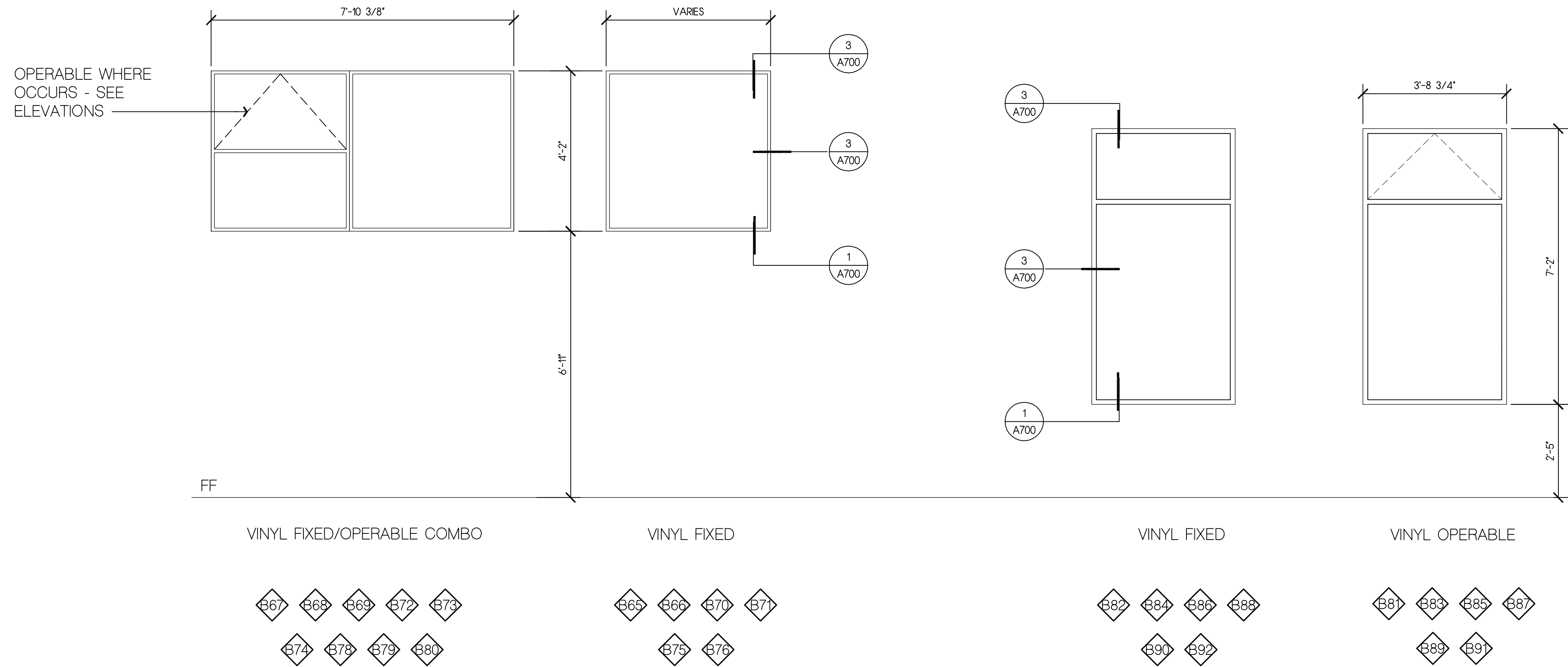


Logon Name: Dean F
 Plot Date: May 05, 2015 - 3:30 pm
 File Name: N:\Projects\000\Education\14-2674-10 FRSD Fall River Elementary\0-0 CAD Files\Sheet\PHASE_INV20.dwg
 PLOT: A100-1.dwg - 0-1.dwg



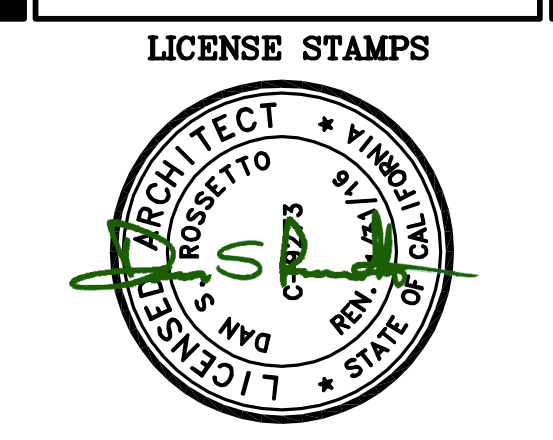
Fall River Elementary Window Schedule										Window Spec Information	
Ordering Information										White Vinyl, PlyGem dual glazed windows	
										Low E tinted with option for reflective glazing	
										Hopper vent if available at high wall locations	
										Temper bottom 2 sections of windows adjacent doors	
										04/15/15	
Window Count	Window ID	Order Window Number	Order Window Width	Order Window Height	Vent	Temp	Window Schedule Symbol	Quantity	Installation Notes	Added Framing or Alterations	Special Notes
Add 2X at head of openings B65 thru B80											
1	B65		41"	43"			L31	2			
Add vertical 8x8 post, 7-1/4" between 65 & 66											
2	B66		39-3/4"	43"			L32	3	Slide new window thru created opening & trim	Center vertical mullion at wide openings	
3	B67		88-1/4"	43"	X		N33	3	"		OX Slider
4	B68		88-1/4"	43"			R33	2	"		
5	B69		88-1/4"	43"	X		N33	2	"		XO Slider
Add vertical 8x8 post, 7-1/4" between 69 & 70											
6	B70		40-3/4"	43"			L34	1	Slide new window thru created opening & trim	Center vertical mullion at wide openings	
7	B71		39-3/4"	43"			L32	1	"		
8	B72		88-1/4"	43"	X		N33	1	"		OX Slider
9	B73		88-1/8"	43"			R35	1	"		
10	B74		88-5/8"	43"	X		N36	1	"		XO Slider
11	B75		41"	43"			L31	1	"		
Add vertical 8x8 post, 7-1/4" between 75 & 76											
12	B76		39-3/4"	43"			L32	1	Slide new window thru created opening & trim	Center vertical mullion at wide openings	
13	B78		88-3/8"	43"	X		N37	1	"		OX Slider
14	B79		88-1/4"	43"			R33	1	"		
15	B80		90"	43"	X		N38	1	"		XO Slider
Remove sill and head jamb trim at interior to increase vertical openings B81 thru B92											
16	B81				X		K39	6	Slide new window thru created opening & trim		Awning vent at top third of window
Add 4X post											
17	B82		43-3/8"	74"			J39	6	Slide new window thru created opening & trim		Horizontal mullion at top third of window
18	B83		43-3/8"	74"	X		K39	6	"		Awning vent at top third of window
Add 4X post											
19	B84		43-3/8"	74"			J39	6	Slide new window thru created opening & trim		Horizontal mullion at top third of window
20	B85		43-3/8"	74"	X		K39	6	Slide new window thru created opening & trim		Awning vent at top third of window
Add 4X post											
21	B86		43-3/8"	74"			J39	6	Slide new window thru created opening & trim		Horizontal mullion at top third of window
22	B87		43-3/8"	74"	X		K39	6	"		
Add 4X post											
23	B88		43-3/8"	74"			J39	6	Slide new window thru created opening & trim		Horizontal mullion at top third of window
24	B89		43-3/8"	74"	X		K39	6	Slide new window thru created opening & trim		Awning vent at top third of window
Add 4X post											
25	B90		43-3/8"	74"			J39	6	Slide new window thru created opening & trim		Horizontal mullion at top third of window
26	B91		43-3/8"	74"	X		K39	6	"		Awning vent at top third of window
Add 4X post											
27	B92		43-3/8"	74"			J39	6	Slide new window thru created opening & trim		Horizontal mullion at top third of window
27 Total Windows									Total	27	

Copyright © 2015

All ideas, designs, arrangements and plans indicated or represented by this drawing are created by and the property of NICHOLS MELBURG and ROSSETTO and were created, evolved and developed for use on, and in conjunction with, the specified project. None of such ideas, designs, arrangements or plans shall be used by, or disclosed to any person, firm or corporation for any purpose whatsoever without the written permission of NICHOLS MELBURG and ROSSETTO.

NICHOLS MELBURG ROSSETTO ARCHITECTS + ENGINEERS
 300 KNOLLCREST DRIVE
 REDDING, CA 96002
 (530) 222-3300 (530) 222-3538 FAX
 http://www.nmrdesign.com

CONSULTANTS



PROJECT NAME
A WINDOW REPLACEMENT FOR FALL RIVER ELEMENTARY SCHOOL

FALL RIVER JOINT UNIFIED SCHOOL DISTRICT FALL RIVER MILLS, CA

SHEET TITLE
WINDOW TYPES

DRAWING STATUS
CONSTRUCTION DOCUMENT SET FOR CONSTRUCTION

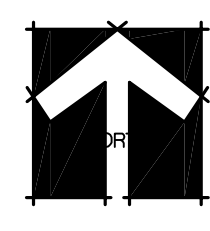
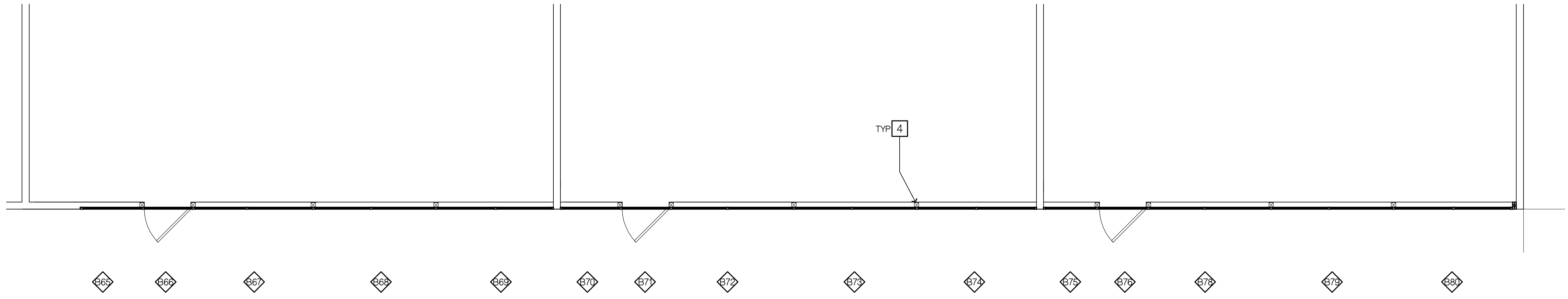
REVISIONS

Sym.	Description	By	Date

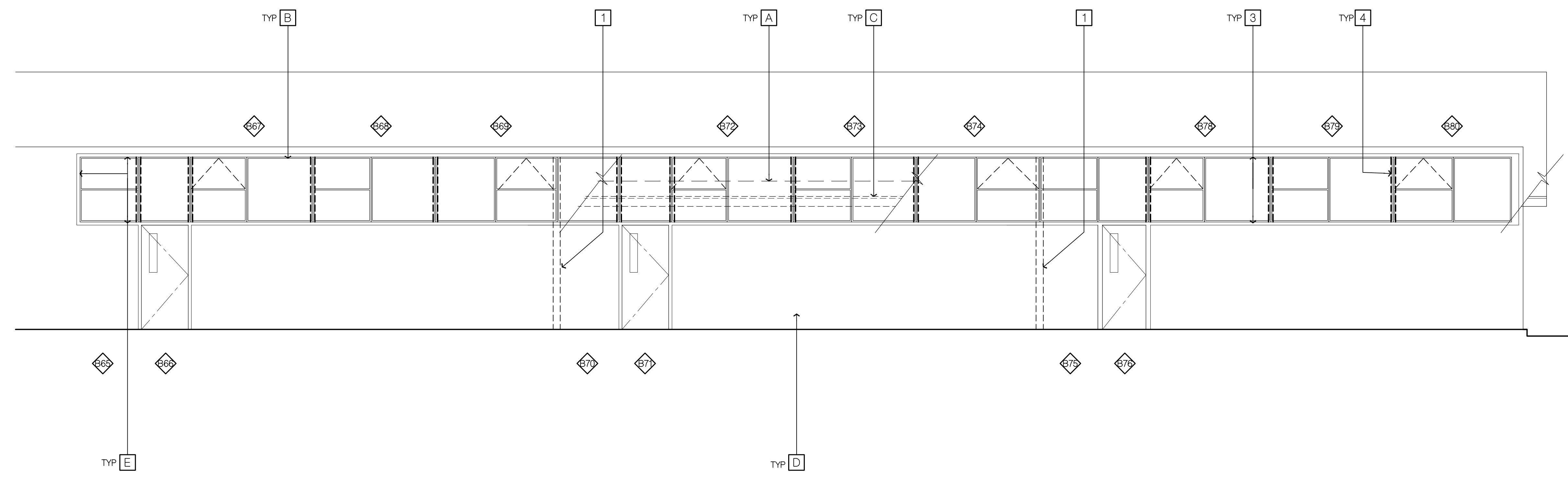
Drawn By	DF
Checked By	WT
Date Drawn	4.17.15
Scale	1/2" = 1'-0"
Job No.	14-2674.10

SHEET No.
A100

LogIn Name: Dean F
 Plot Date: April 13, 2016 - 12:55 pm
 File Name: N:\Projects\000\Education\14-2674-10 FRSD Fall River Elementary\00 CAD Files\Sheet\PHASE 1\A260.dwg
 PLOT: P:\RES\360\1_11_16 - 0_1.dwg



DEMOLITION/NEW WORK WINDOW PLAN
SCALE: 1/4" = 1'-0"



L **EXTERIOR ELEVATION**
SCALE: 1/4" = 1'-0"

DEMOLITION KEY NOTES

- A** (E) CLASSROOM CEILING PROFILE
- B** DEMO (E) STEEL WINDOW UNIT
- C** EXISTING FACIA/ROOFLINE
- D** (E) CEMENT PLASTER WALL FINISH
- E** DEMO (E) WOOD TRIM

KEY NOTES

- ITEMS NOT LISTED AS EXISTING OR (E) ARE TO BE CONSIDERED NEW
- 1** CLASSROOM WALL BEYOND
 - 2** NEW VINYL WINDOW UNIT
 - 3** 1 x PAINTED TRIM - MATCH (E)
 - 4** (E) STRUCTURAL POST

GENERAL NOTES

1. CONTRACTOR IS TO PROTECT ALL TREES, SHRUBBERY & MECHANICAL EQUIPMENT ADJACENT TO THE BUILDING FROM DAMAGE DURING CONSTRUCTION.
2. FIELD-VERIFY EXISTING CONSTRUCTION DEPICTED IN THESE DRAWINGS AS IT IS UNCOVERED DURING CONSTRUCTION. NOTIFY THE ARCHITECT PROMPTLY IF EXISTING CONDITIONS ARE NOT AS INDICATED.
3. PROVIDE TEMPORARY DUSTPROOF PARTITIONS AS NECESSARY FOR SEPARATION OF CONSTRUCTION AREAS AND ADJACENT OCCUPIED AREAS.
4. ALL EXISTING CONSTRUCTION, FIXTURES, EQUIPMENT AND FINISHES TO REMAIN SHALL BE PROTECTED FROM DAMAGE DURING DEMOLITION AND NEW CONSTRUCTION.

LEAD BASED PAINT NOTE

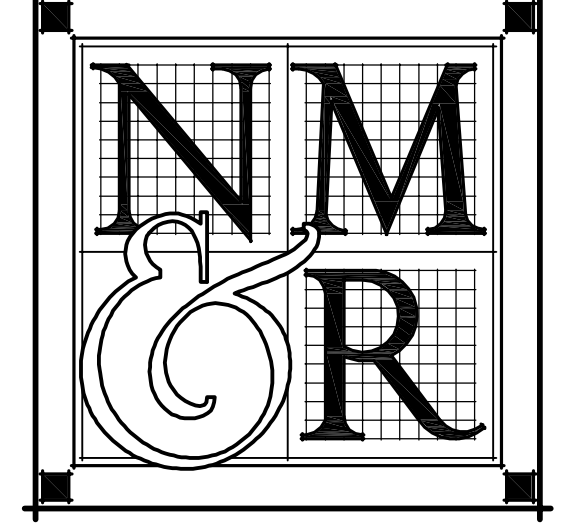
CONTRACTOR SHALL HAVE AT LEAST ONE EMPLOYEE ON SITE AT ALL TIMES WHO HAS RECEIVED EPA LEAD TRAINING. CERTIFICATE OF COMPLETION OF TRAINING TO BE FURNISHED AT DISTRICTS REQUEST.

LEGEND

- ◊ REMOVE PORTION OF (E) WINDOW SYSTEM PER APPLICABLE WINDOW DETAILS. PREPARE FOR NEW WINDOW SYSTEM. INSTALL NEW WINDOW SYSTEM

Copyright © 2015

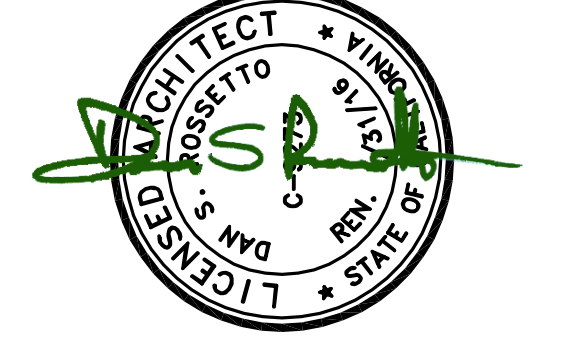
All ideas, designs, arrangements and plans indicated or represented by this drawing are created by, and the property of, NICHOLS MELBURG and ROSSETTO and were created, evolved and developed for use on, and in conjunction with, the specified project. None of such ideas, designs, arrangements or plans shall be used by, or disclosed to any person, firm or corporation for any purpose whatsoever without the written permission of NICHOLS MELBURG and ROSSETTO.



**NICHOLS
MELBURG
&
ROSSETTO**
ARCHITECTS + ENGINEERS
300 KNOLLCREST DRIVE
REDDING, CA 96002
(530) 222-3300 (530) 222-3538 FAX
<http://www.nmrdesign.com>

CONSULTANTS

LICENSE STAMPS



PROJECT NAME
**A WINDOW
REPLACEMENT
FOR
FALL RIVER
ELEMENTARY
SCHOOL**

**FALL RIVER JOINT
UNIFIED SCHOOL DISTRICT
FALL RIVER MILLS, CA**

SHEET TITLE
**DEMO/NEW WORK
WINDOW PLANS &
ELEVATIONS**

DRAWING STATUS
**CONSTRUCTION
DOCUMENT SET**
FOR CONSTRUCTION

REVISIONS

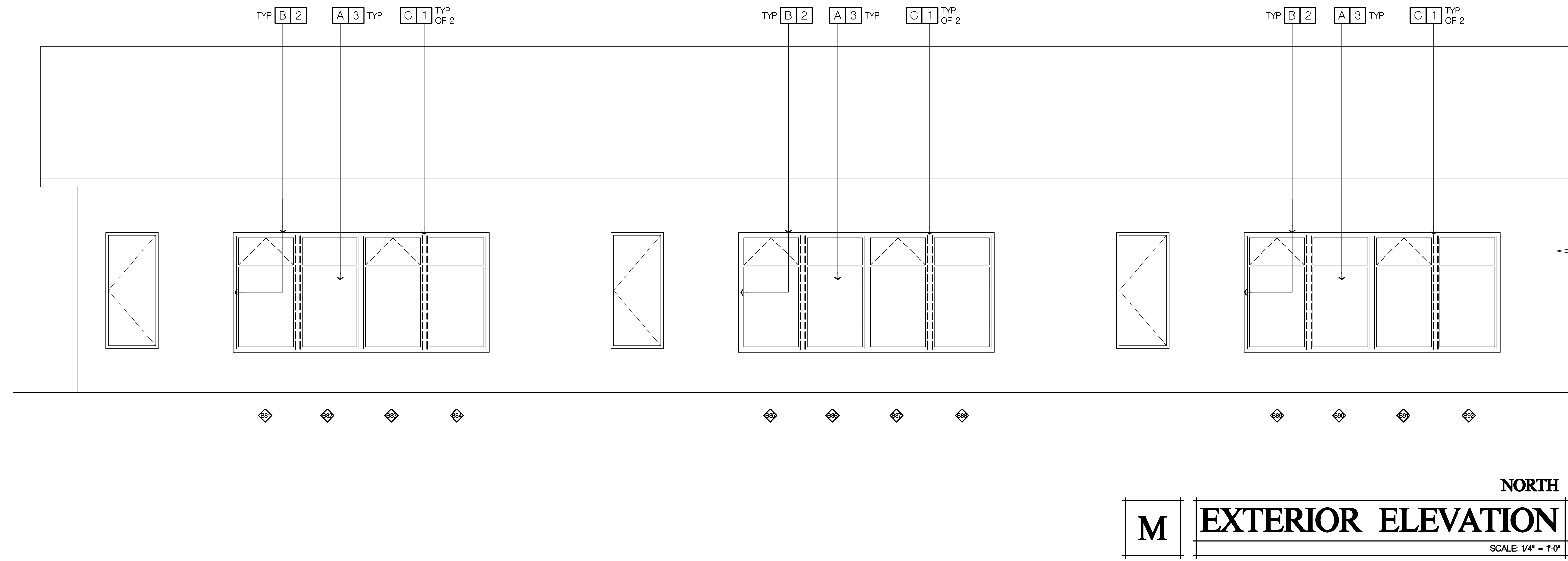
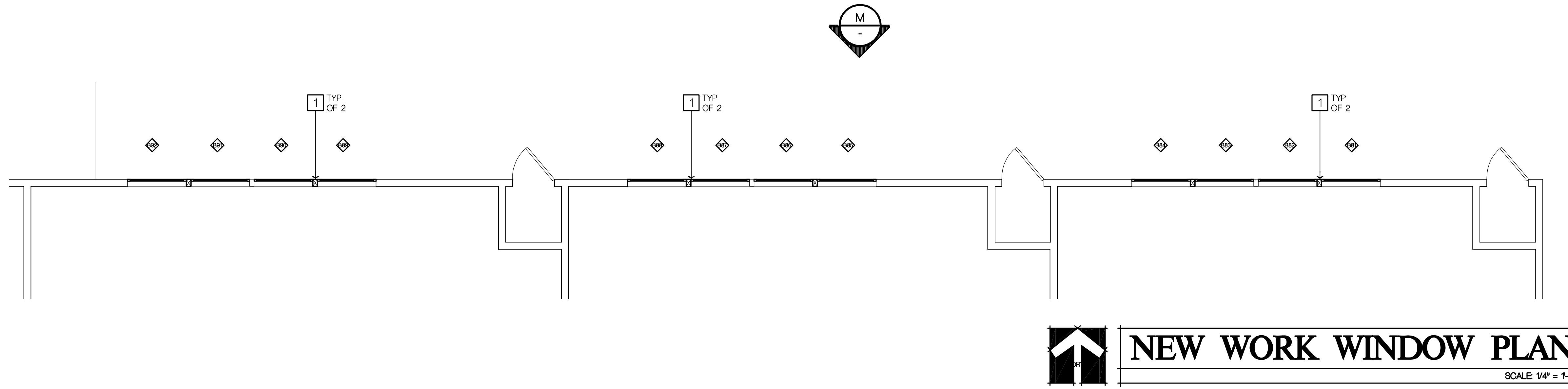
Sym.	Description	By	Date

Drawn By	DF
Checked By	WT
Date Drawn	4.17.15
Scale	AS NOTED
Job No.	14-2674.10

SHEET No.

A260

LogIn Name: Dean F
 Plot Date: May 05, 2015 - 3:45 pm
 File Name: N:\Projects\000\Education\14-2674-10 FRSD Fall River Elementary\00 CAD Files\Sheet\PHASE -IM\20.dwg
 PLOT: P:\RES\360-1-11-10-11-NR



DEMOLITION KEY NOTES

- A DEMO (E) STEEL WINDOW UNIT
- B DEMO (E) WOOD TRIM
- C DEMO (E) STEEL VERTICAL MULLION

KEY NOTES

- ITEMS NOT LISTED AS EXISTING OR (E) ARE TO BE CONSIDERED NEW
- 1 INFILL FRAMING - WOOD TRIM O/ SHEATHING O/ 2 x STRUCT POST. ATTACH POSTS TO (E) FRAMING W/ 3 10d INTO A35 EA. SIDE TOP & BTM.
 - 2 WOOD TRIM TO MATCH (E) - PAINT
 - 3 NEW VINYL WINDOW UNIT

GENERAL NOTES

- 1 CONTRACTOR IS TO PROTECT ALL TREES, SHRUBBERY & MECHANICAL EQUIPMENT ADJACENT TO THE BUILDING FROM DAMAGE DURING CONSTRUCTION.
- 2 FIELD-VERIFY EXISTING CONSTRUCTION DEPICTED IN THESE DRAWINGS AS IT IS UNCOVERED DURING CONSTRUCTION. NOTIFY THE ARCHITECT PROMPTLY IF EXISTING CONDITIONS ARE NOT AS INDICATED.
- 3 PROVIDE TEMPORARY DUSTPROOF PARTITIONS AS NECESSARY FOR SEPARATION OF CONSTRUCTION AREAS AND ADJACENT OCCUPIED AREAS.
- 4 ALL EXISTING CONSTRUCTION, FIXTURES, EQUIPMENT AND FINISHES TO REMAIN SHALL BE PROTECTED FROM DAMAGE DURING DEMOLITION AND NEW CONSTRUCTION.

LEAD BASED PAINT NOTE

CONTRACTOR SHALL HAVE AT LEAST ONE EMPLOYEE ON SITE AT ALL TIMES WHO HAS RECEIVED EPA LEAD TRAINING. CERTIFICATE OF COMPLETION OF TRAINING TO BE FURNISHED AT DISTRICTS REQUEST.

LEGEND

- ◊ REMOVE PORTION OF (E) WINDOW SYSTEM PER APPLICABLE WINDOW DETAILS. PREPARE FOR NEW WINDOW SYSTEM. INSTALL NEW WINDOW SYSTEM

Copyright © 2015

All ideas, designs, arrangements and plans indicated or represented by this drawing are created by, and the property of, NICHOLS MELBURG and ROSSETTO and were created, evolved and developed for use on, and in conjunction with, the specified project. None of such ideas, designs, arrangements or plans shall be used by, or disclosed to any person, firm or corporation for any purpose whatsoever without the written permission of NICHOLS MELBURG and ROSSETTO.

NICHOLS MELBURG & ROSSETTO
 ARCHITECTS + ENGINEERS
 300 KNOLLCREST DRIVE
 REDDING, CA 96002
 (530) 222-3300 (530) 222-3538 FAX
 http://www.nmrdesign.com

CONSULTANTS

LICENSE STAMPS

PROJECT NAME
 A WINDOW REPLACEMENT FOR
 FALL RIVER ELEMENTARY SCHOOL
 FALL RIVER JOINT UNIFIED SCHOOL DISTRICT
 FALL RIVER MILLS, CA

SHEET TITLE
 DEMO/NEW WORK WINDOW PLANS & ELEVATIONS

DRAWING STATUS
 CONSTRUCTION DOCUMENT SET FOR CONSTRUCTION

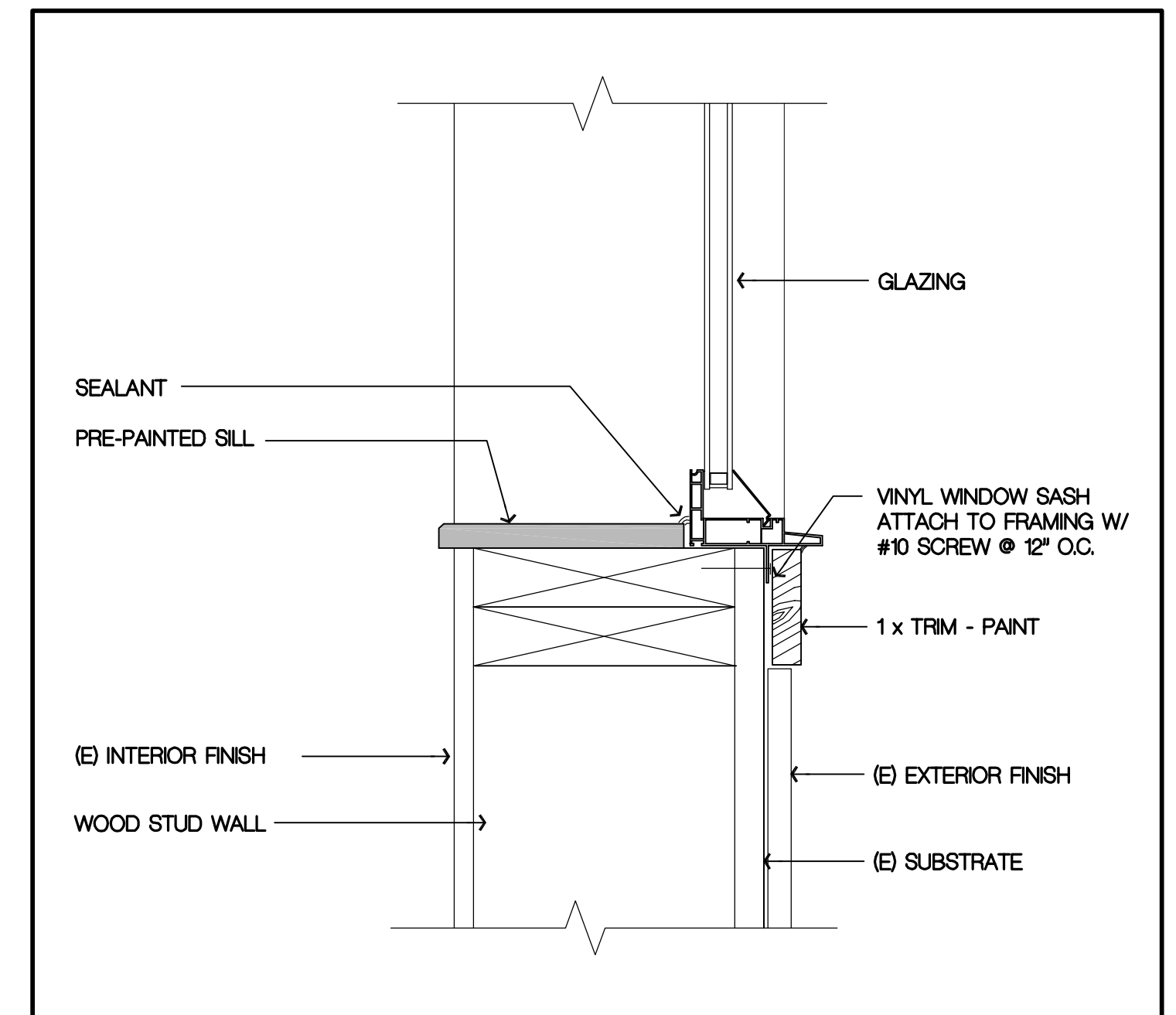
REVISIONS

Sym.	Description	By	Date

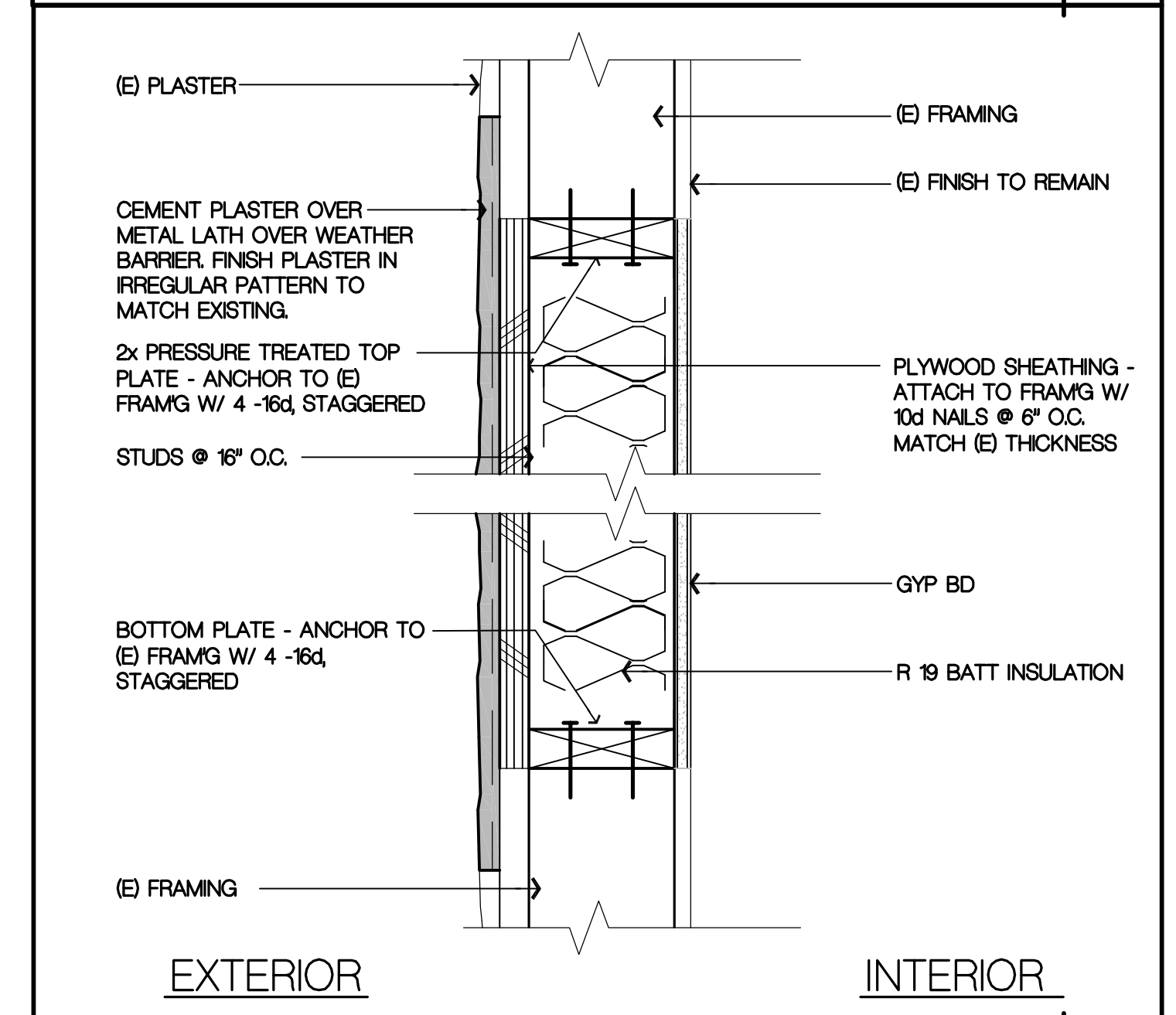
Drawn By	DF
Checked By	WT
Date Drawn	4.17.15
Scale	AS NOTED
Job No.	14-2674.10

SHEET No.
 A270

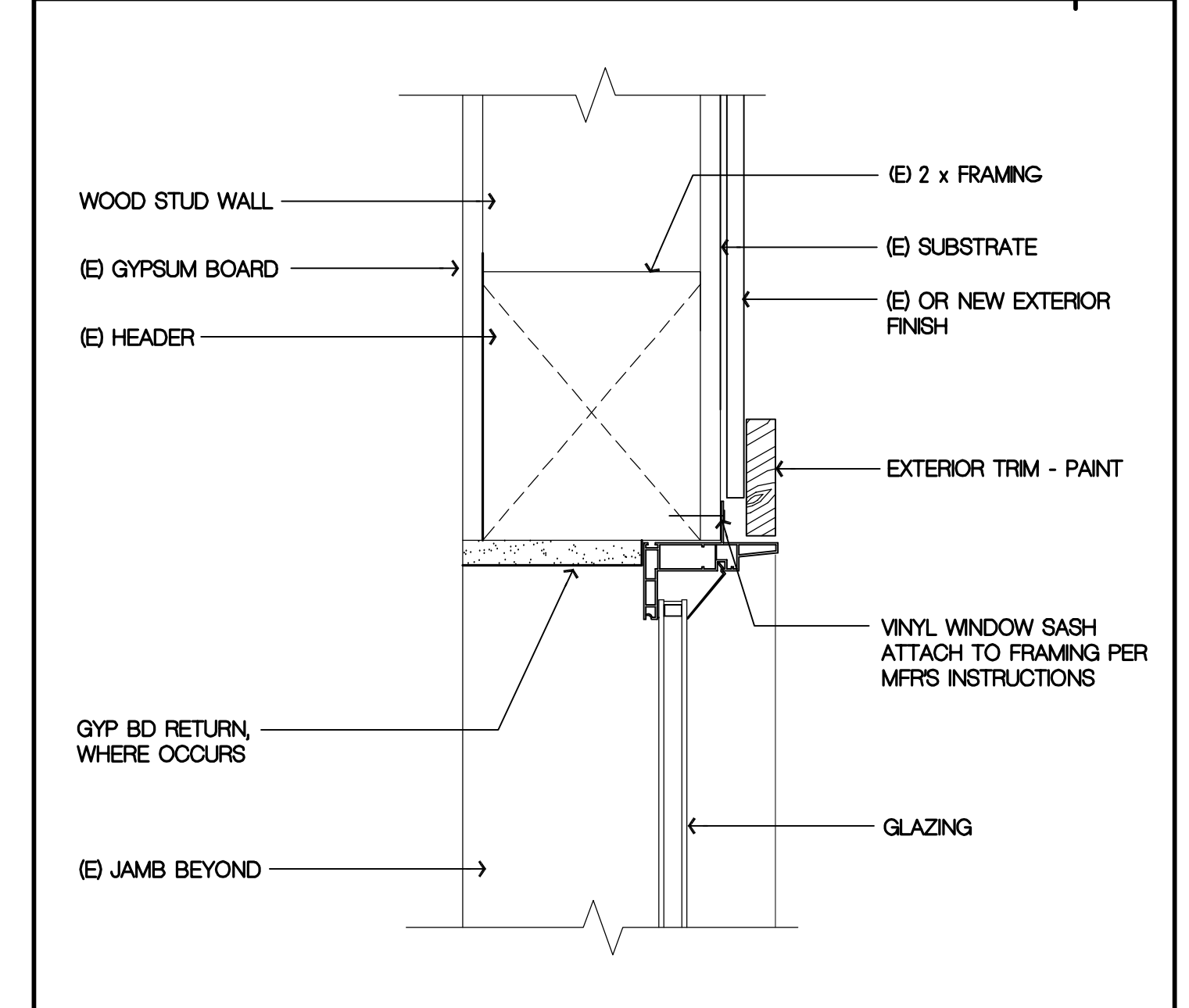
Logn Name: Dean F
 Plot Date: May 05, 2015 - 3:46 pm
 File Name: N:\Projects\0000\Education\14257410 FRESO Fall River Elementary\01 CAD Sheet\Sheet\PHASE INTRES_PHASE Intres - DETAILS.dwg
 PLOTS: C:\Users\Dean F\AppData\Local\Temp\1\14257410 FRESO Fall River Elementary\01 CAD Sheet\Sheet\PHASE INTRES_PHASE INTRES - DETAILS.dwg



SILL AT VINYL WINDOW SCALE: 3" = 1'-0" ①



EXTERIOR WALL INFILL DETAIL SCALE: 3" = 1'-0" ②



WINDOW HEAD JAMB SIML SCALE: 3" = 1'-0" ③

Copyright © 2015
 All ideas, designs, arrangements and plans indicated or represented by this drawing are created by and the property of NICHOLS MELBURG and ROSSETTO and were created, evolved and developed for use on, and in conjunction with, the specified project. None of such ideas, designs, arrangements or plans shall be used by, or disclosed to any person, firm or corporation for any purpose whatsoever without the written permission of NICHOLS MELBURG and ROSSETTO.

NICHOLS MELBURG ROSSETTO ARCHITECTS + ENGINEERS
 300 KNOLLCREST DRIVE
 REDDING, CA 96002
 (530) 222-3300 (530) 222-3538 FAX
 http://www.nmrdesign.com

CONSULTANTS

LICENSE STAMPS



PROJECT NAME
A WINDOW REPLACEMENT FOR FALL RIVER ELEMENTARY SCHOOL

FALL RIVER JOINT UNIFIED SCHOOL DISTRICT FALL RIVER MILLS, CA

SHEET TITLE

DETAILS
 3

DRAWING STATUS
CONSTRUCTION DOCUMENT SET FOR CONSTRUCTION

REVISIONS

Sym.	Description	By	Date

Drawn By	NMR
Checked By	
Date Drawn	4.17.15
Scale	AS NOTED
Job No.	14-2674.10

SHEET No.
A700